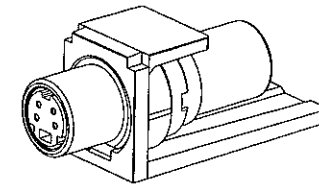
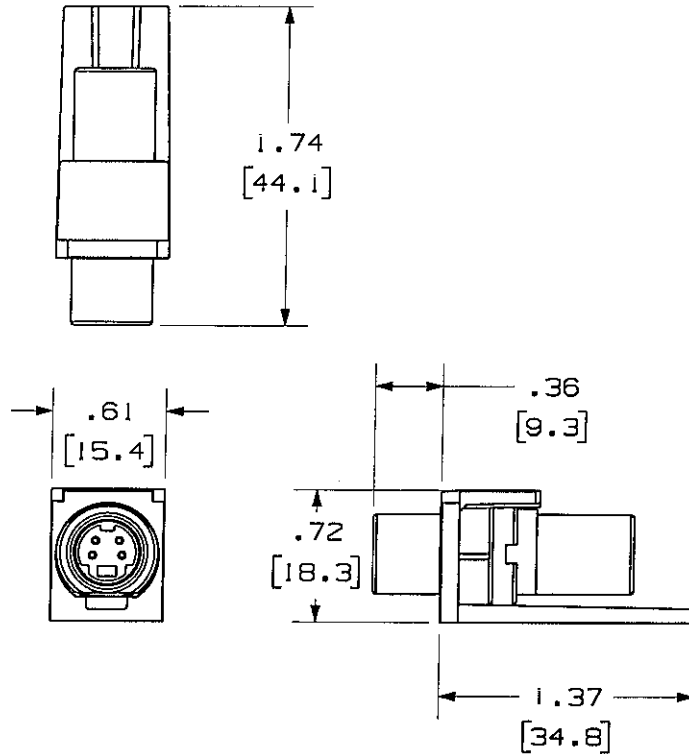


THIS COPY IS PROVIDED ON A RESTRICTED BASIS AND IS NOT TO BE USED IN ANY WAY DETRIMENTAL TO THE INTERESTS OF PANDUIT CORP.

PANDUIT P/N	WEIGHT
CMSVC**Y	.40 LB/10 PCS (181.3 g/10 PCS)

NOTES:

1. SEE CURRENT CATALOG FOR ADDITIONAL PART NUMBER SUFFIXES TO INDICATE COLOR AND OR PACKAGE QUANTITY.
2. SEE CATALOG FOR COMPLETE LIST OF PARTS APPLICABLE FOR USE WITH THIS PART.
3. DIMENSIONS IN PARENTHESES ARE IN METRIC.
4. PART INCLUDES:
 - 1- MODULE BASE
 - 1- S-VIDEO COUPLER (ASSEMBLED TO MODULE BASE)



										MODEL FILENAME	M00823AA_CMSV_01.PRT	SIZE	A	
										DRAWING FILENAME	M02479HC_DC187_00A.PRT			
										NETWORK SYSTEMS MAY 25 2006 ENGINEERING DEPT			MINI-COM S-VIDEO COUPLER MODULE CUSTOMER DRAWING	
										PANDUIT TM CORP. TINLEY PARK, ILL 60477		1.1. NUMBER		N/A
												PRODUCT SPEC		N/A
										THIRD ANGLE PROJECTION		WORK INSTRUCTION		N/A
												SCALE		NONE
										DRAWN BY		PART NO.		
										DATE		CMSVC**Y		
										MATERIAL:		DRAWING NO.		
R	3-18-06	JsP		RELEASED TO PRODUCTION	02479-187						3-18-06	MODULE - ABS COUPLER - NICKEL PLATED	02479-187	
REV	DATE	BY	CHK	DESCRIPTION	ECN	R	CUST	SUP	OTH	CHK'D				